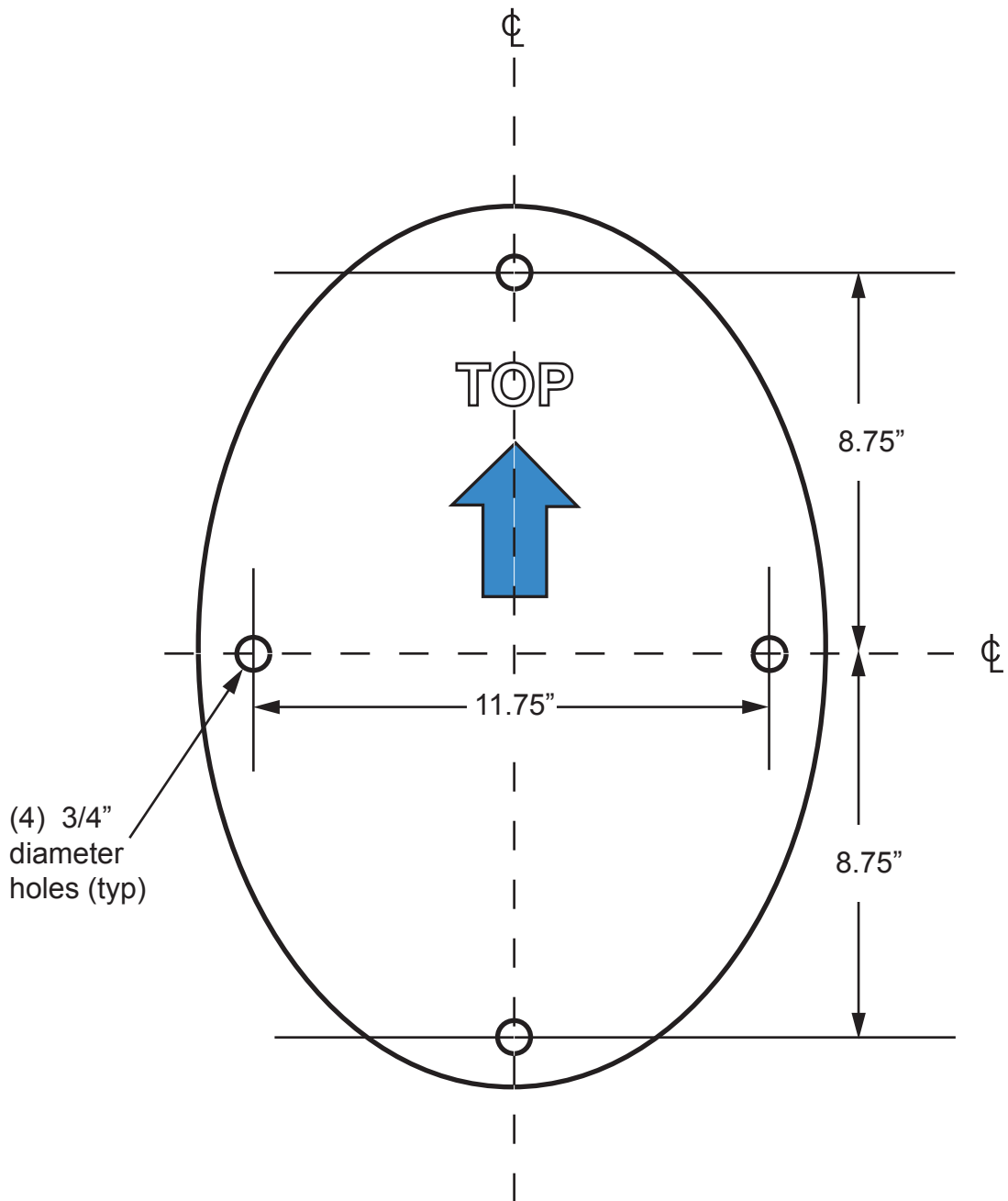


Model ECO Bracket
Template



(4) 3/4"
diameter
holes (typ)

Note:
All Dimensions +/- .125"