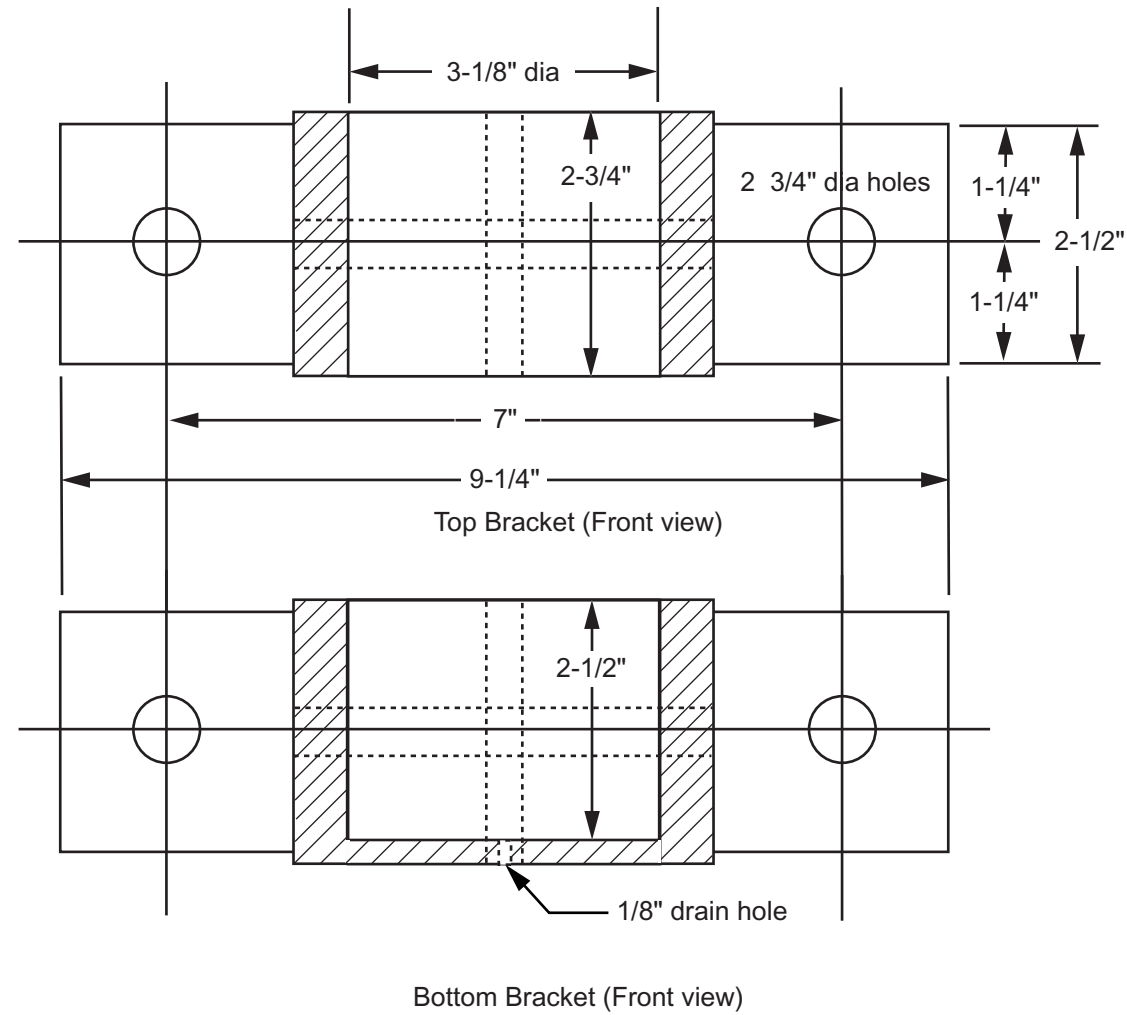


Model EVWS/B Bracket  
Item Number: 323027



Bracket Detail  
Front View

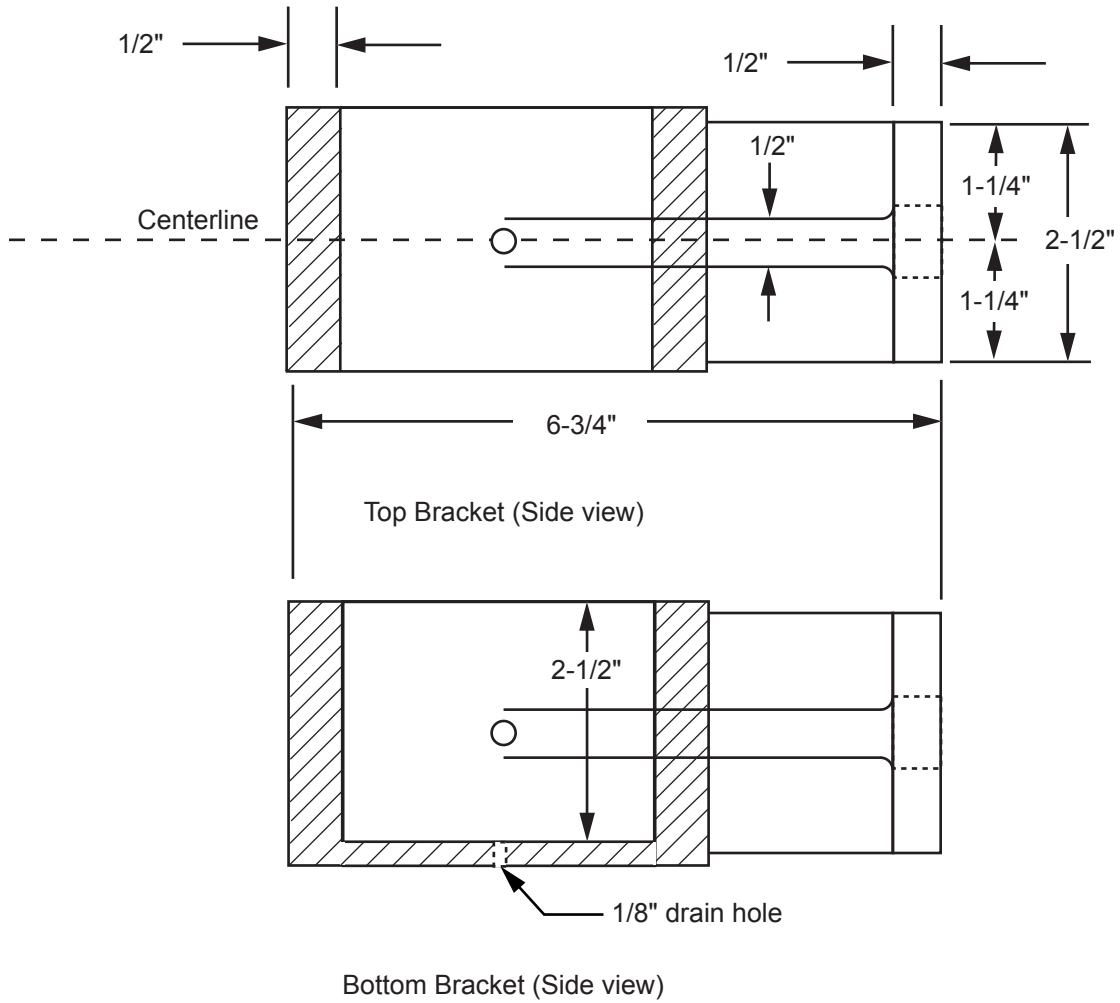


Filename: EVWS/B 3 inch bracket detail.pdf

Project:	Aluminum casting Alloy: 356 T	EDER FLAG	Date:
Location:	Exposed height:	Overall height:	MANUFACTURING COMPANY
Architect:	Ship in section	Butt diameter:	1000 W. Rawson Avenue
Contractor:	Top diameter:	Wall thickness:	Oak Creek, WI 53154
Customer:	Finish: Cast Aluminum	Page 1 of 2	Job:



Bracket Detail  
Side View



Filename: EVWS/B 3 inch bracket detail.pdf

	Aluminum casting Alloy: 356 T	EDER FLAG	Date:
	Exposed height:	Overall height:	MANUFACTURING COMPANY
	Ship in section	Butt diameter:	1000 W. Rawson Avenue
	Top diameter:	Wall thickness:	Oak Creek, WI 53154
	Finish: Cast Aluminum	Page 2 of 2	Job: