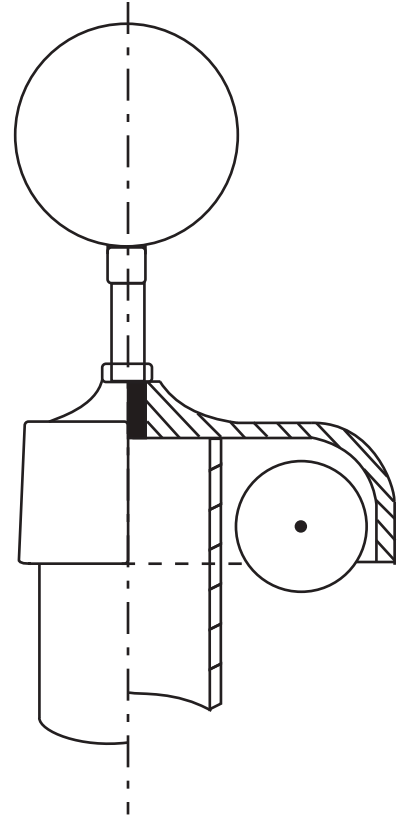
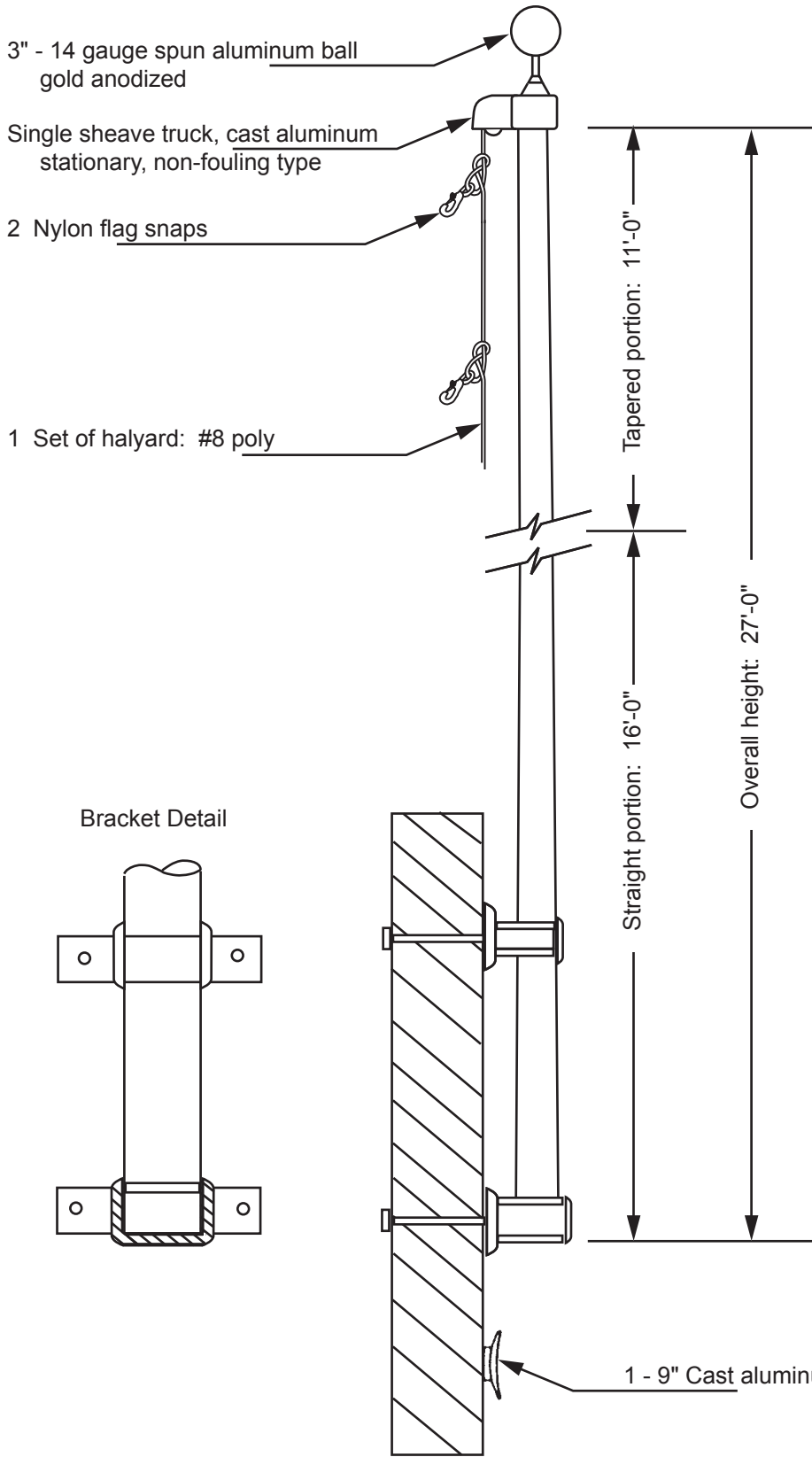


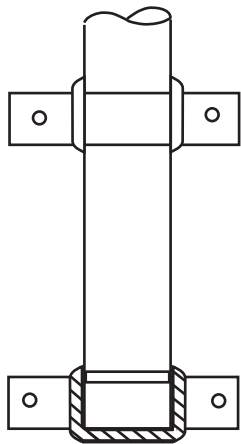
# Model EVWS 27



**Stationary Truck Detail**

Cast Aluminum body

**Bracket Detail**



Project:	Tapered aluminum flagpole: ALLOY: 6063T6	EDER FLAG	Date:
Location:	Exposed height: 27' - 0"	MANUFACTURING COMPANY	Revision:
Architect:	Ship in 1 section	Butt diameter: 3"	
Contractor:	Top diameter: 1-7/8"	Wall thickness: .125	
Customer:	Finish: 100 grit high polish	1000 W. Rawson Avenue Oak Creek, WI 53154	Job: