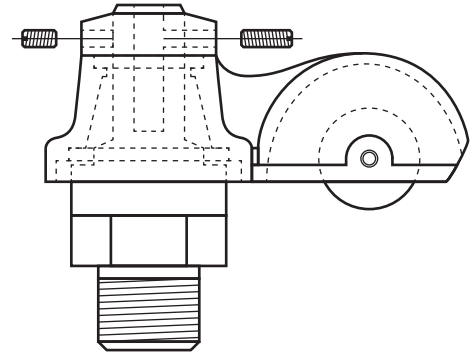
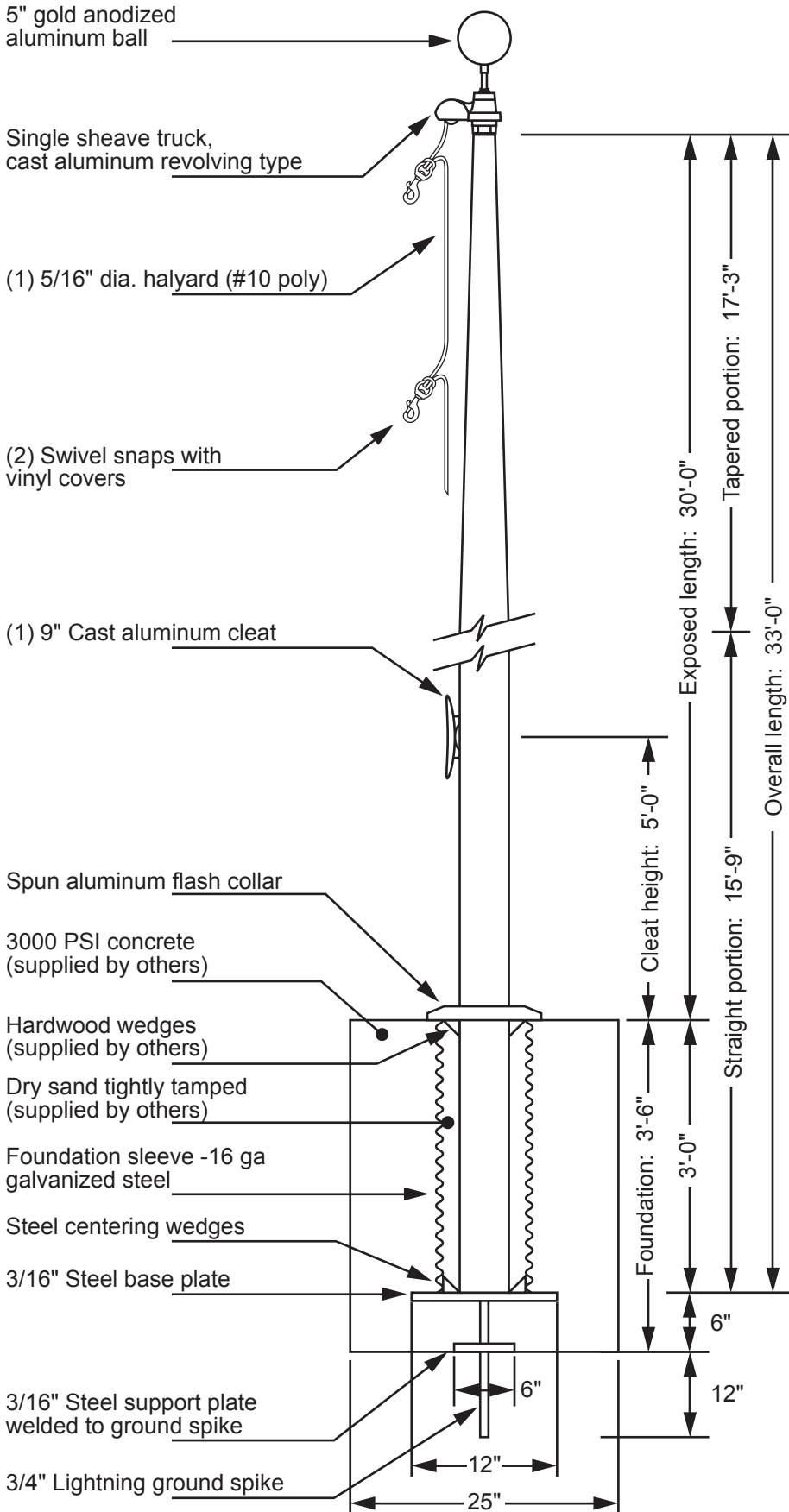


Model ECXA30 - External Single Halyard



Single Sheave Truck Detail
 Revolving truck
 Cast aluminum body
 Stainless steel ball bearings
 Nylon sheave
 Cast aluminum spindle

Project: Location: Contractor: Customer: Online Stores	Date: 2/20/2019 Job: Revision:	Exposed Height __ 30'-0" Overall Height __ 33'-0" Butt Diameter __ 5" Top Diameter __ 3" Wall Thickness __ .156" Ships in 2 sections	Ground Set Tapered Aluminum Flagpole ALLOY 6063T6 80 grit polish <hr/> FINISH:
			EDER FLAG 1000 W. Rawson Avenue Oak Creek, WI 53154 www.ederflag.com