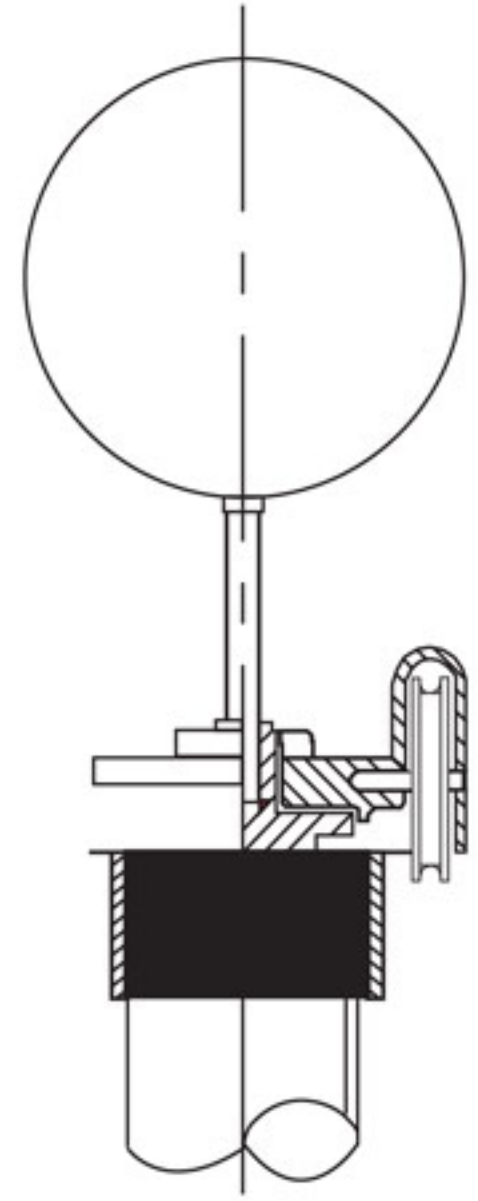
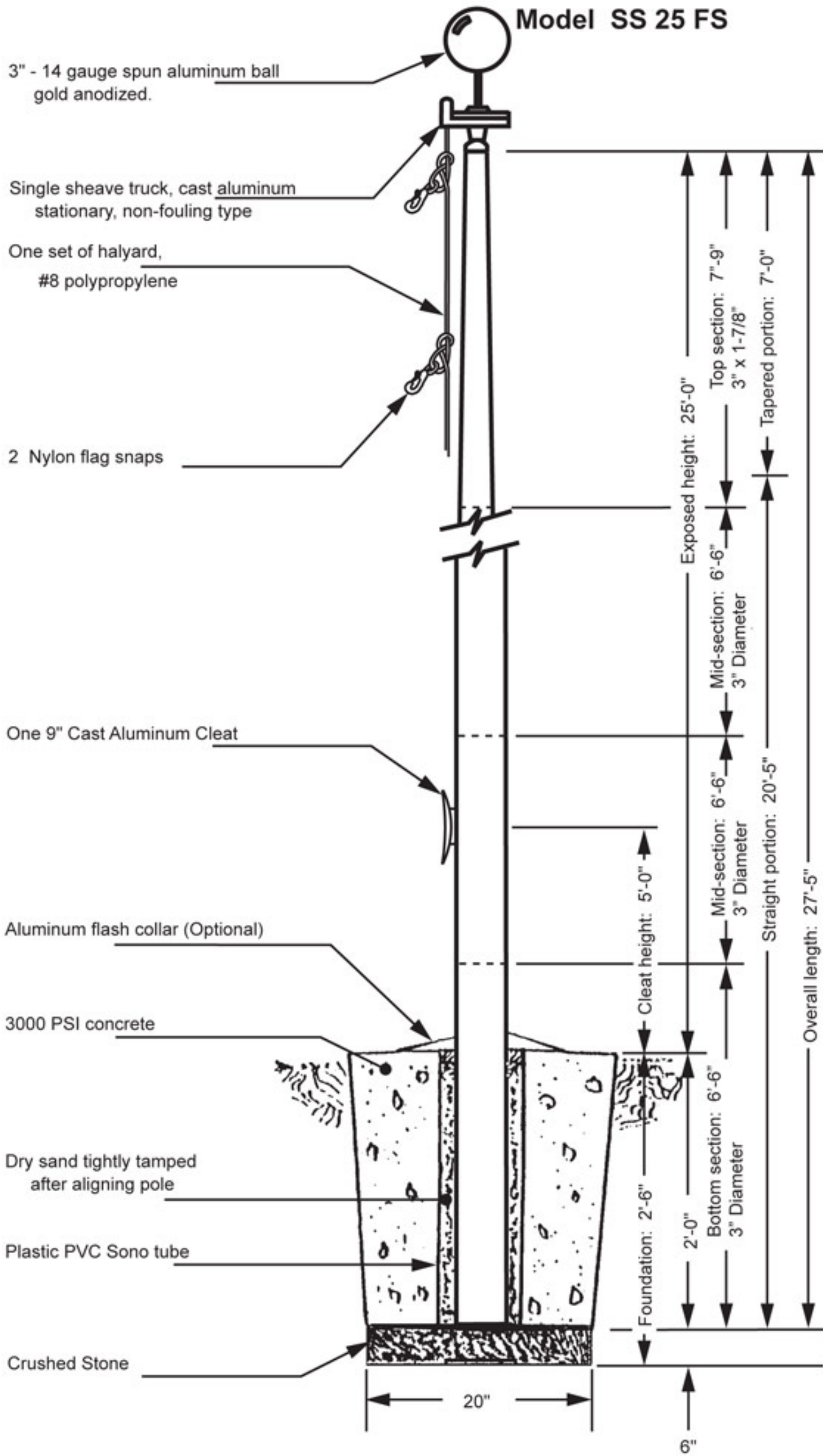


Model SS 25 FS



Project:	Ground set tapered aluminum flagpole: ALLOY: 6063T6	EDER FLAG	Date:
Location:	Exposed height: 25'-0"	Overall height: 27'-6"	Revision:
Architect:	Ship in 4 sections	Butt diameter: 3"	1000 W. Rawson Avenue
Contractor:	Top diameter: 1-7/8"	Wall thickness: .125"	Oak Creek, WI 53154
Customer:	Finish: 100 grit polish		Job:

DIAGRAMS ARE GUIDELINES ONLY: Parts indicated may not be included with your pole.