



Model ECX40

- 8" - 14 gauge spun aluminum ball gold anodized
- Single sheave truck, cast aluminum revolving, non-fouling type
- 2 Bronze swivel snaps with covers per halyard
- 1 Set of halyard: #10 poly

1 - 9" Cast aluminum cleat

Aluminum flash collar

3000 PSI concrete

Hardwood wedges (supplied by others)

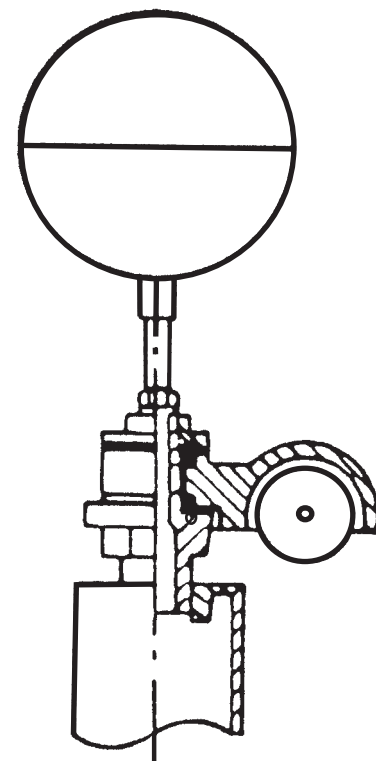
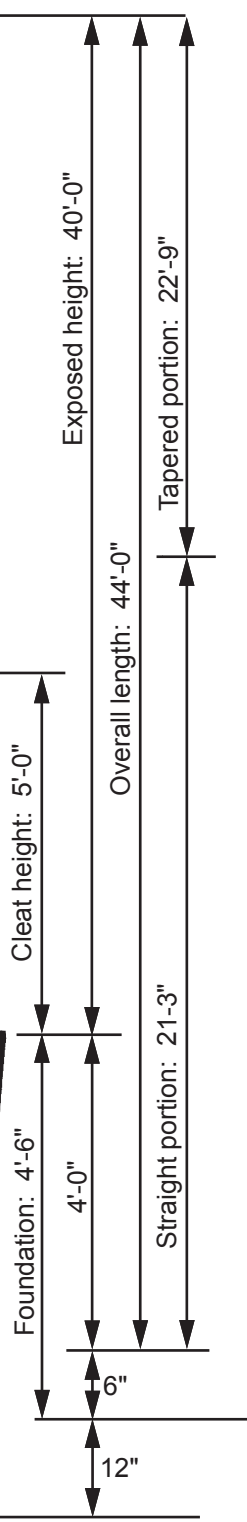
Dry sand tightly tamped after aligning pole

Foundation sleeve -16 ga hot dip galvanized steel

Steel centering wedges

1/4" Steel base plate

1/4" Steel support plate welded to grounding spike



Truck Detail

- Aluminum body
- Stainless steel ball bearings
- Aluminum sheave
- Cast aluminum spindle

All shafts with overall length of more than 38'-6" are shipped in two sections.

Each section matched marked for field assembly. Exposed portion of jam sleeve must be **well lubricated** prior to assembly.

1-1/2" maximum shop gap allowed for field fitting (ram for tight joint)



Filename: ECX40 single sheave_revolving truck.ai

| | | | |
|-------------|---|------------------------|-----------------------|
| Project: | Ground set tapered aluminum flagpole: ALLOY: 6063T6 | EDER FLAG | Date: |
| Location: | Exposed height: 40'-0" | Overall height: 44'-0" | MANUFACTURING COMPANY |
| Architect: | Ship in 2 sections | Butt diameter: 7" | 1000 W. Rawson Avenue |
| Contractor: | Top diameter: 3-1/2" | Wall thickness: .156" | Oak Creek, WI 53154 |
| Customer: | Finish: 100 grit polish | | Job: |

DIAGRAMS ARE GUIDELINES ONLY: Parts indicated may not be included with your pole.