



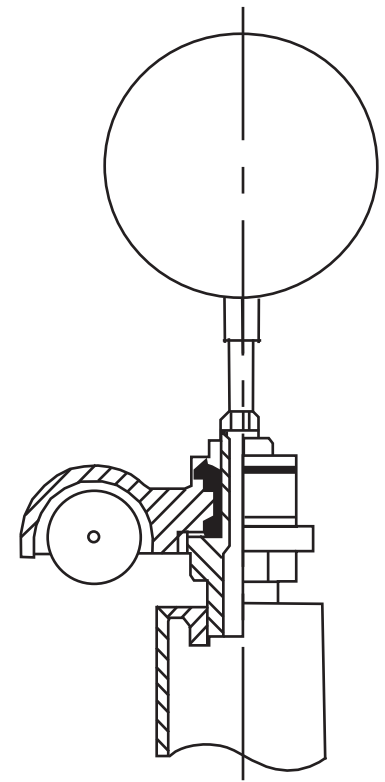
### Model ECS30

4" - 14 gauge spun aluminum ball  
gold anodized

Single sheave truck, cast aluminum  
stationary, non-fouling type

2 Bronze swivel snaps with covers  
per halyard

1 Set of halyard: #8 poly



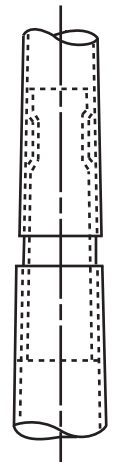
#### Truck Detail

Aluminum body  
Stainless steel ball bearings  
Aluminum sheave  
Cast aluminum spindle

All shafts with overall  
length of more than  
38'-6" are shipped in  
two sections.

Each section matched  
marked for field assembly.  
Exposed portion of jam  
sleeve must be **well  
lubricated** prior to  
assembly.

1-1/2" maximum shop  
gap allowed for field  
fitting (ram for tight joint)



1 - 9" Cast aluminum cleat

Aluminum flash collar (optional)

3000 PSI concrete

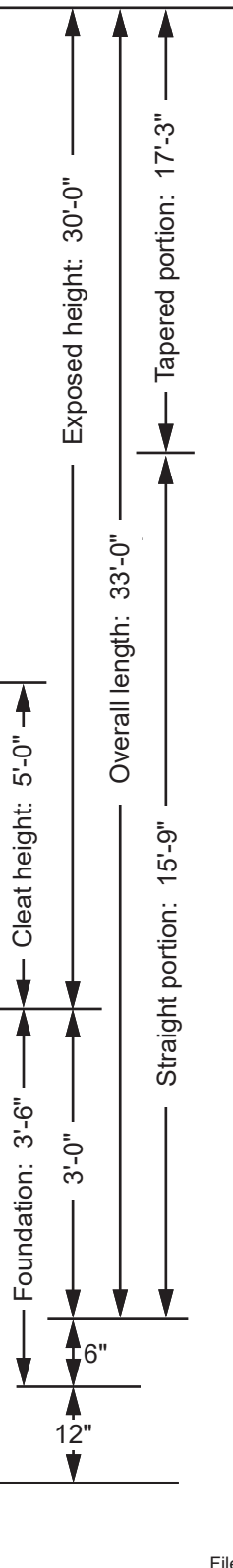
Hardwood wedges  
(supplied by others)

Dry sand tightly tamped  
after aligning pole

Foundation sleeve -16 ga  
hot dip galvanized steel

1/4" Steel base plate

1/4" Steel support plate  
welded to grounding spike



Filename: ECS30 stationary\_single sheave\_truck.ai

Project:	Ground set tapered aluminum flagpole: ALLOY: 6063T6	EDER FLAG	Date:
Location:	Exposed height: 30'-0"	Overall height: 33'-0"	Revision:
Architect:	Ship in 1 section	Butt diameter: 4"	1000 W. Rawson Avenue
Contractor:	Top diameter: 2-3/8"	Wall thickness: .125"	Oak Creek, WI 53154
Customer:	Finish: 100 grit polish		Job:

**DIAGRAMS ARE GUIDELINES ONLY: Parts indicated may not be included with your pole.**