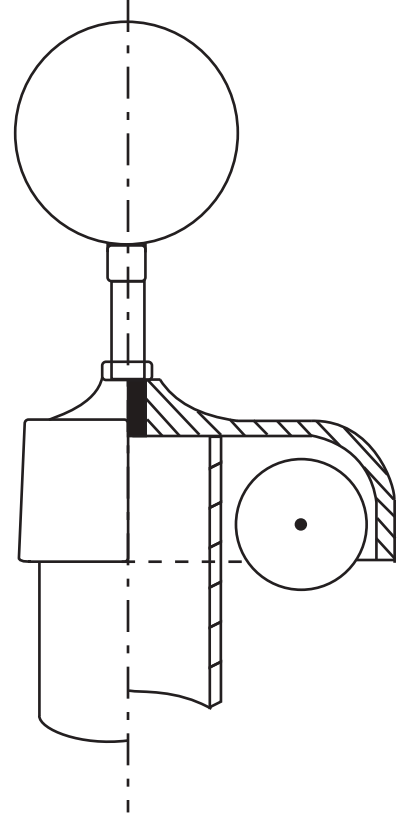
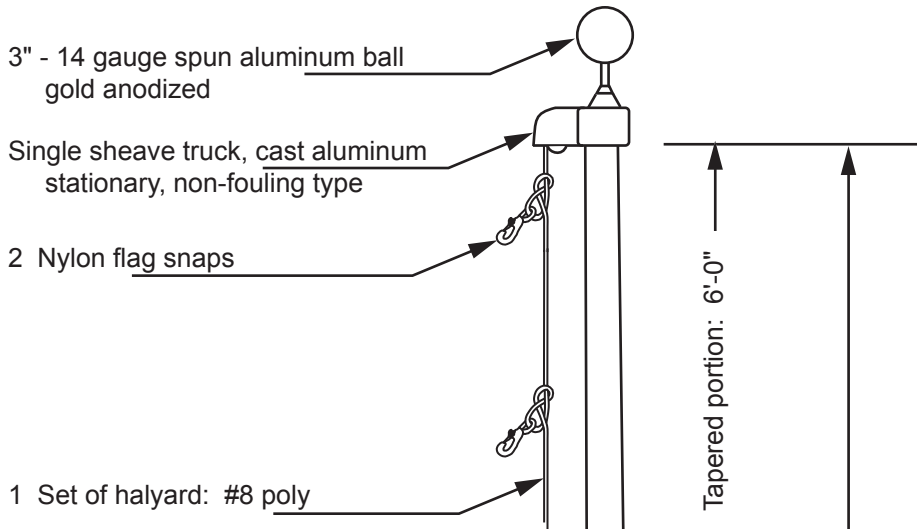


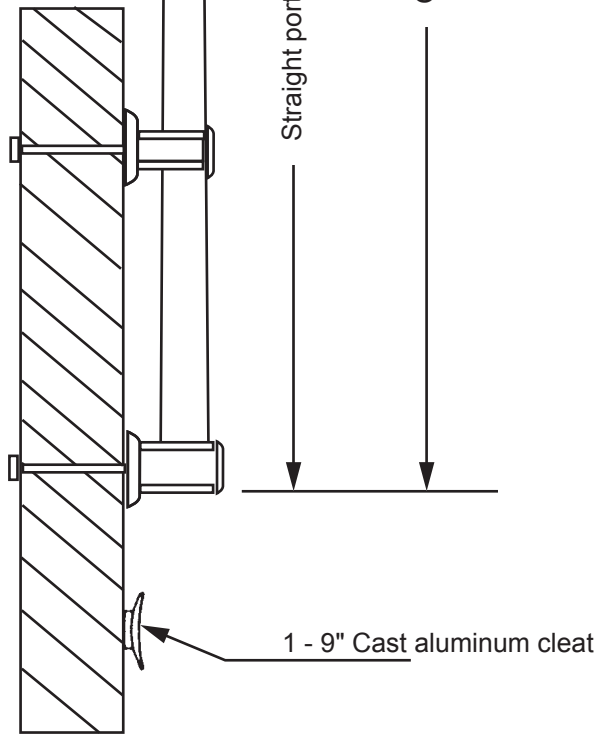
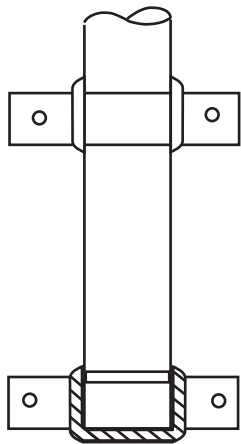
Model EVWS 8



Stationary Truck Detail

Cast Aluminum body

Bracket Detail



Project:	Tapered aluminum flagpole: ALLOY: 6063T6	EDER FLAG	Date:
Location:	Exposed height: 8' - 0"	MANUFACTURING COMPANY	Revision:
Architect:	Ship in 1 section	Butt diameter: 3"	1000 W. Rawson Avenue
Contractor:	Top diameter: 1-7/8"	Wall thickness: .125	Oak Creek, WI 53154
Customer:	Finish: 100 grit high polish		Job:

DIAGRAMS ARE GUIDELINES ONLY: Parts indicated may not be included with your pole.